

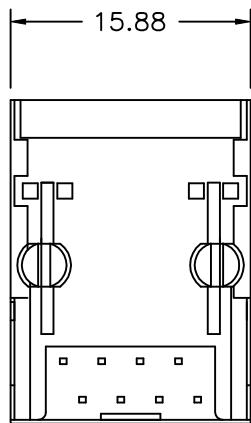
Single Port RJ45 Connector
with Magnetics Module and LED

Part Number

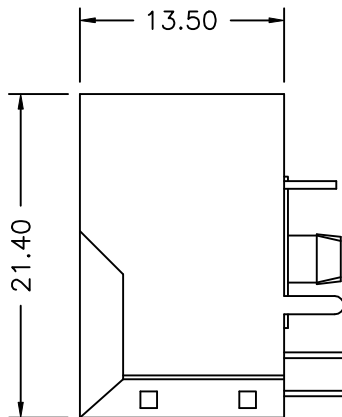
HR911105A (Shield Type: A)

- Designed for Network Interface Card Application
- Meets or Exceeds IEEE802.3 standards including 350uH Min OCL with 8mADC
- High performance for EMI suppression, Crosstalk, Return Loss and Consistent Electrical
- Minimum 1500Vrms isolation per IEEE802.3 requirement
- Minimize PCB space and Simplify PCB Layout
- Less magnetic components to place on PCB, Higher reliability and yields

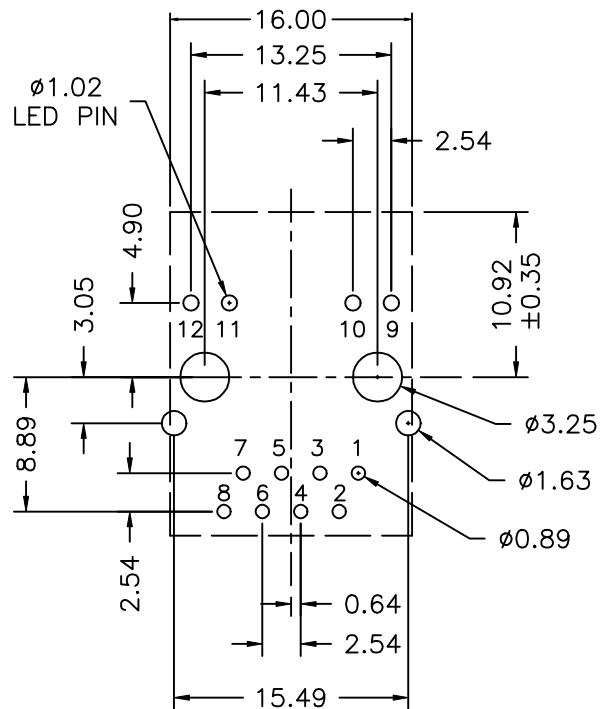
Mechanical Dimensions:



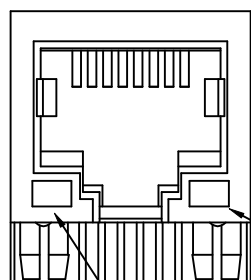
(Bottom View)



(Side View)



(Comp Side View)



(Front View)

Right LED
Yellow LED

Left LED
Green LED

| | | | | |
|---------------------|--|----------|-------|-------|
| Part No.: HR911105A | Unless otherwise specified, Tolerance: .xx ± 0.25 | Rev: A | DRWN: | Date: |
| Dimensions in mm | | Page 1/1 | APPD: | Date: |

**Single Port RJ45 Connector
with Integrated Magnetics and LED
for 10/100Base-TX NIC Applications**

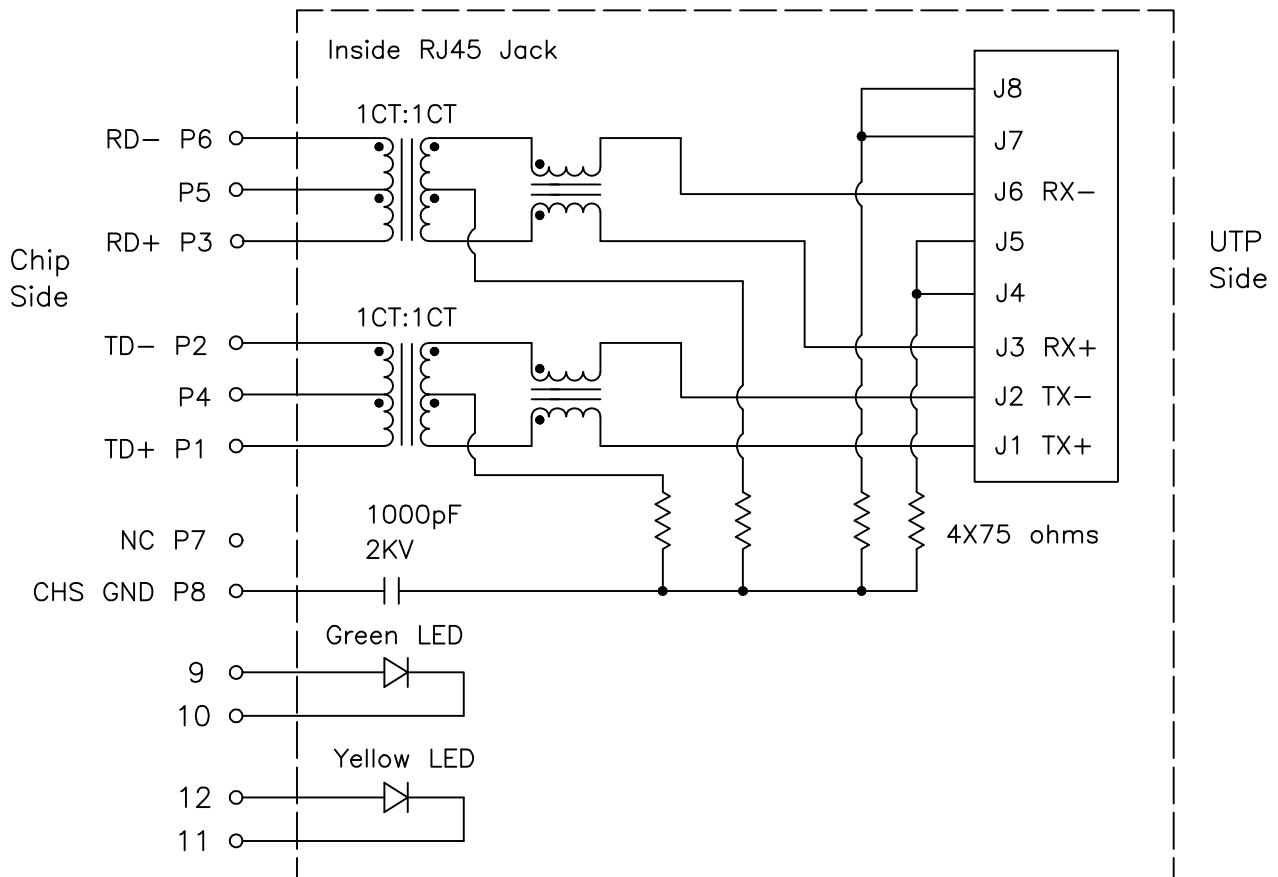
Part Number:

HR911105

Electrical Specification @25°C

Isolation: 1500Vrms (UTP Side to Chip Side)
 OCL: 350uH Minimum @100KHz 100mV with 8mADC
 Insertion Loss: -1.0dB Maximum @300KHz ~ 100MHz
 Return Loss: -20dB Minimum @1MHz ~ 10MHz
 -16dB Minimum @10MHz ~ 30MHz
 -12dB Minimum @30MHz ~ 60MHz
 -10dB Minimum @60MHz ~ 80MHz
 Common Mode Rejection: -30dB Minimum @1MHz ~ 50MHz
 -20dB Minimum @50MHz ~ 150MHz
 Crosstalk: -40dB Minimum @1MHz ~ 30MHz
 -35dB Minimum @30MHz ~ 60MHz
 -30dB Minimum @60MHz ~ 100MHz

Schematics



Notes: Connect CHS GND to PCB Ground

| | | | | |
|---|---|----------|-------|-------|
| Part No.: HR911105 | Unless otherwise specified, Tolerance: .xx ±0.25 | Rev: A | DRWN: | Date: |
| Dimensions in mm | | Page 1/1 | APPD: | Date: |
| Tel: (0760) 2121067 2121679 • Fax: (0760) 2121065 • E-Mail: hanrun@pub.zhongshan.gd.cn • http: www.hanrun.com | | | | |